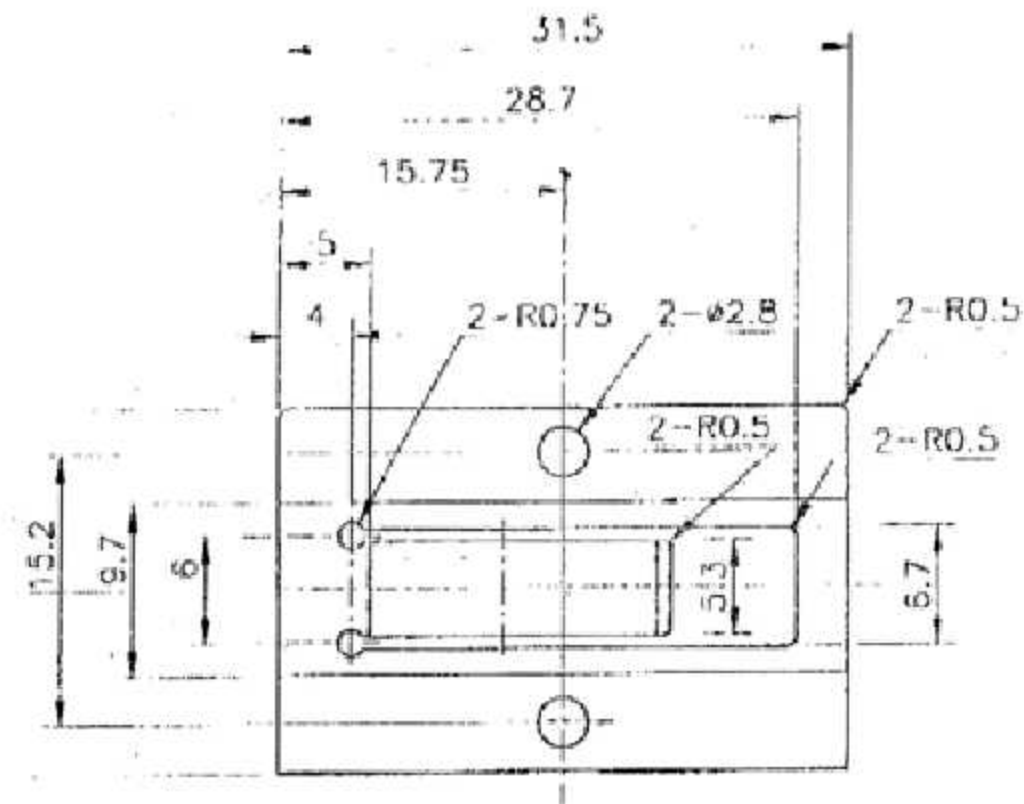
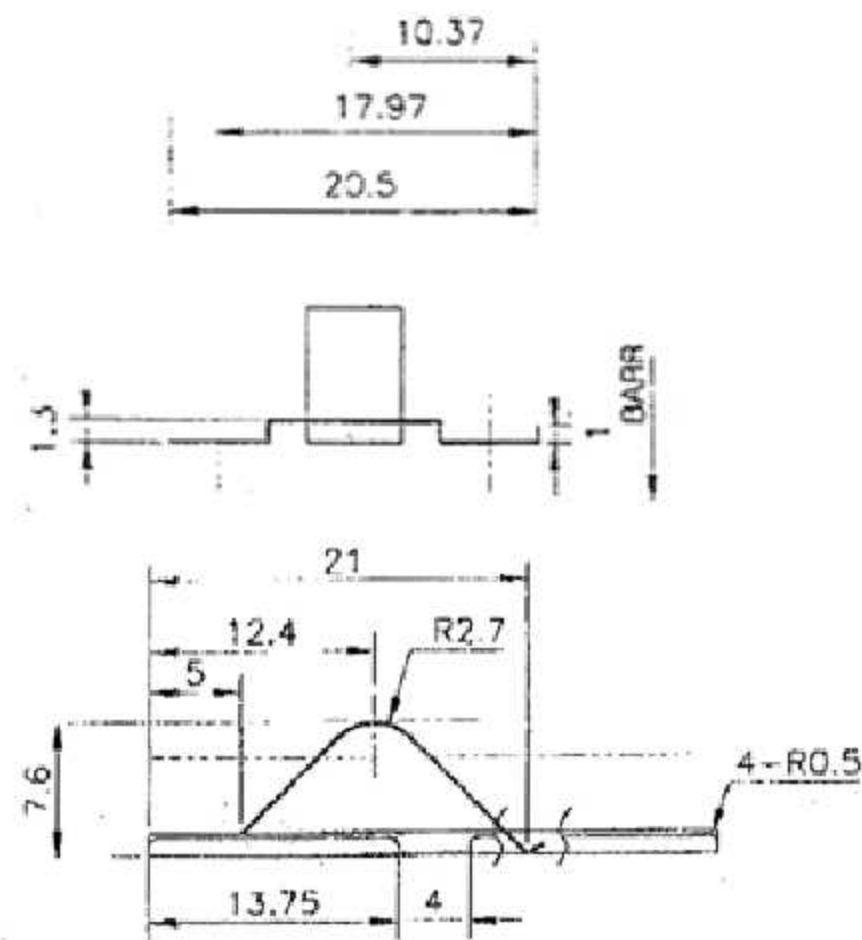


No	Name	Material	Remark
1	finger strip	BeCu 0.15t	
2			
3			
4			



Designed by	Reviewed by	Approved by	Rev	Date	Description	Revised	Checked	Part No	FEA648		TITLE	FINGER STRIP
								DWG No			Form	
								Unit	mm	General Tolerance		
2007. . .	2007. . .	2007. . .						SCALE		PROJECTION		