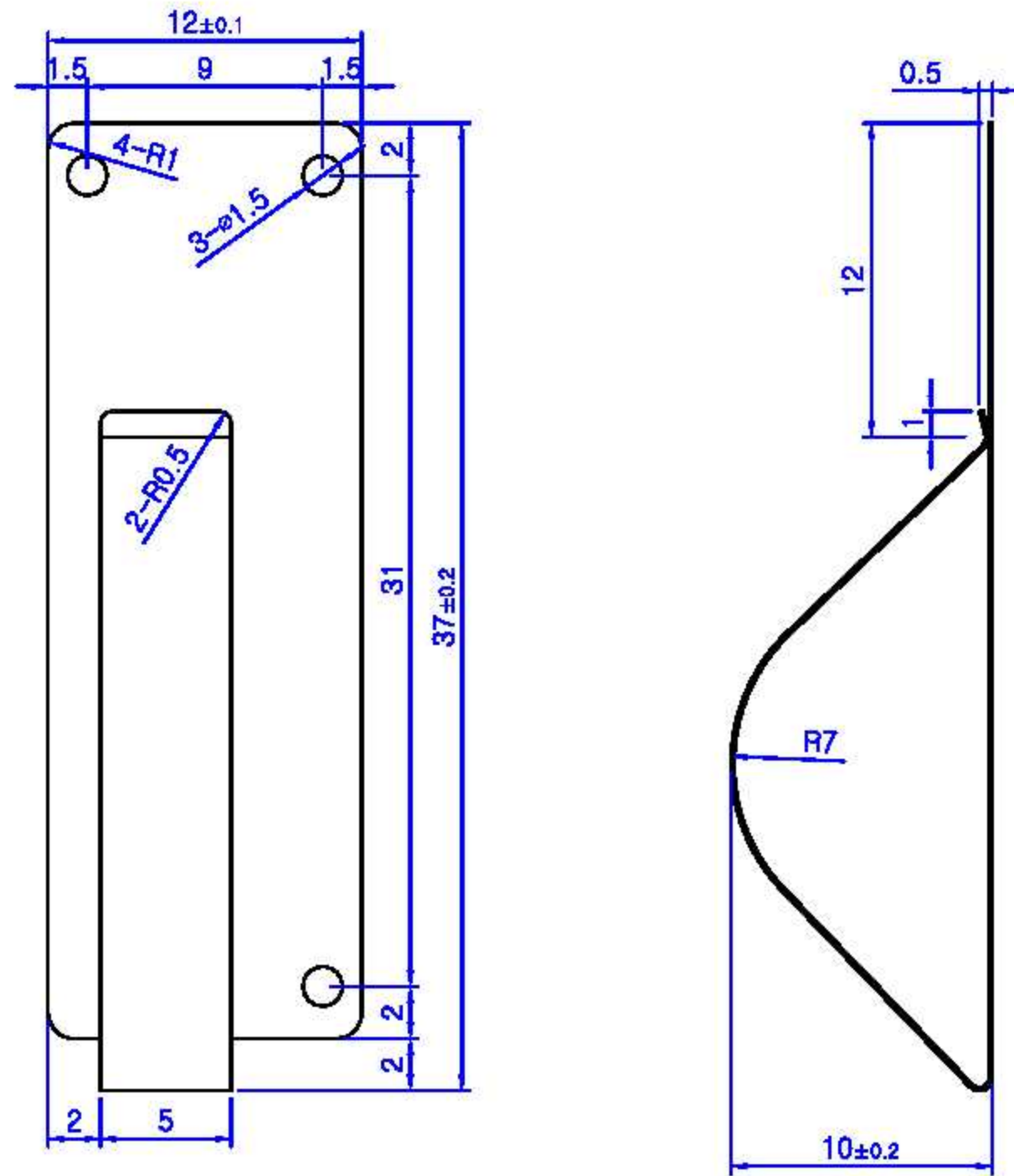




No	Name	Material	Remark
1	finger strip	BeCu 0.13t	
2			
3			
4			



Designed by	Reviewed by	Approved by	Rev	Date	Description	Revised	Checked	Part No	FEA652	TITLE	FINGER STRIP
								DWG No	ES-DWG00	Form	
								Unit	mm	General Tolerance	
2007. . .	2007. . .	2007. . .						SCALE		PROJECTION	
											E-Song America, Inc.