



# E-Song America, Inc.

100%  
RoHS Compliant  
Products

1901 S. Bascom Ave., Prune Yard Tower I, Suite 1225, Campbell, CA 95008  
Email: sales@esongamerica.com Tel. (408) 466-5446 FAX (408) 879-9373

## FINGER STRIP GASKET (SMD TYPE) NO.

### PRODUCT DATA

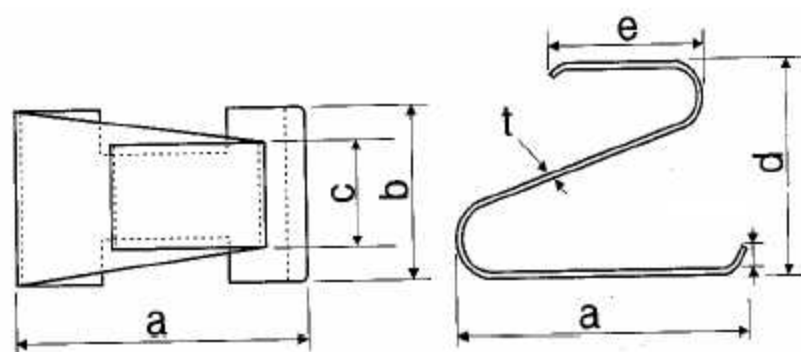
#### ■ General Description

FINGER STRIP GASKET(SMD TYPE) is for use of PCB grounding. The base material of beryllium copper featuring excellent resilience and electrical properties. It's plating material is gold, so it provide very well-known for minimum contact resistance are eventually suitable for grounding of various PCBs. The package on a reel for SMD can also give extreme improvement to workers in mass productions such as SMD Line.

#### ■ Application

-Grounding of PCB

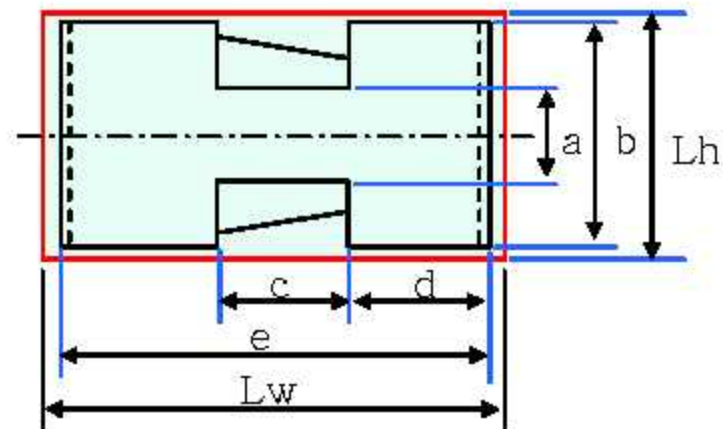
#### ■ Shape and Dimension



(Unit:mm)

Part NO	a	b	c	d	e	f	plating	Base Material
FEA634	3.7	2.0	1.2	3.0	2.4	0.1	Au	BeCu/Sus
FEA635	5.0	3.0	1.8	3.7	2.9	0.1	Au	Be/Sus
FEA636	3.5	2.0	1.2	1.5	2.4	0.1	Au	BeCu
FEA637	5.5	3.0	1.8	5.5	2.9	0.1	Au	Sus
FEA638	3.8	2.7	2.1	2.0	1.8	0.1	Au	BeCu
FEA639	5.2	3.4	2.8	4.0	2.0	0.1	Au	BeCu

## ■ Standard Land Dimension



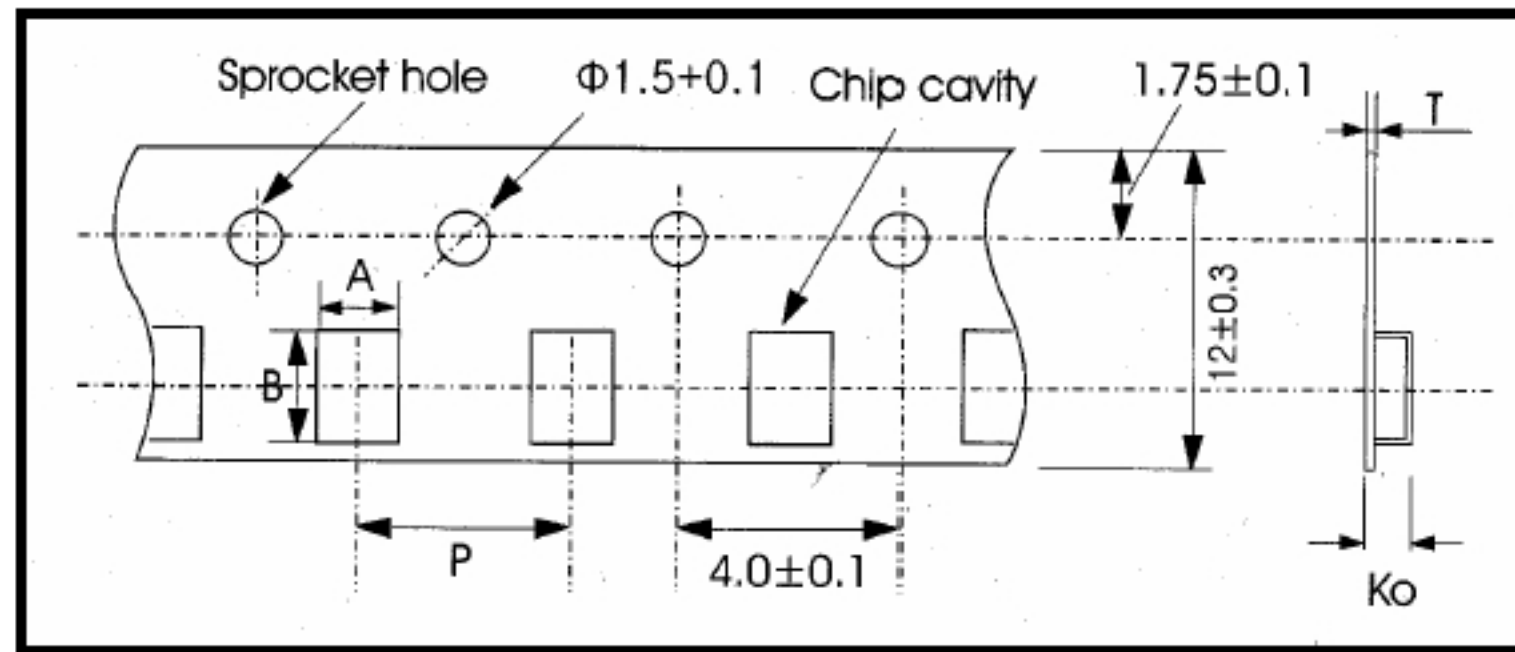
Part NO	a	b	c	d	e	Lh	Lw
FEA634	1.00	2.00	1.35	1.00	3.70	2.20	4.00
FEA635	1.60	3.00	2.00	1.50	5.00	3.20	5.20
FEA636	1.00	2.00	1.35	1.0	3.50	2.20	3.70
FEA637	1.60	3.00	1.75	1.75	5.50	3.20	5.70

## ■ Packing

### 1. Standard quantity for packing

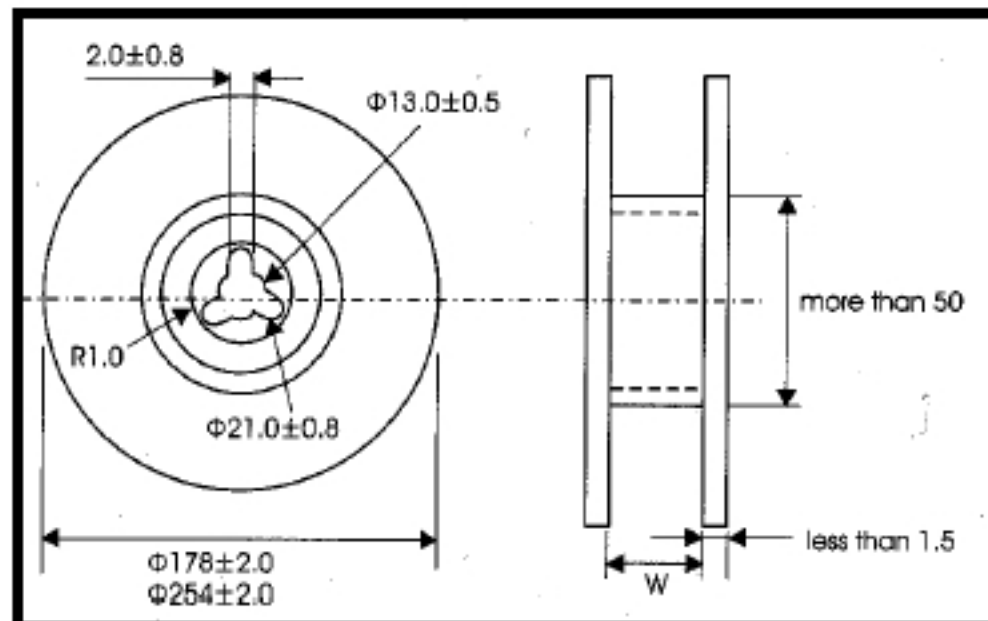
Part NO	Tape & Reel		Bulk Vinyl
	13" Reel(ea)	7" Reel(ea)	
FEA634	2,750	-	As wanted
FEA635	2,250	-	
FEA636	-	1,250	
FEA637	1,500	-	-
FEA638			As wanted
FEA639			-

## ■ Tape Dimension

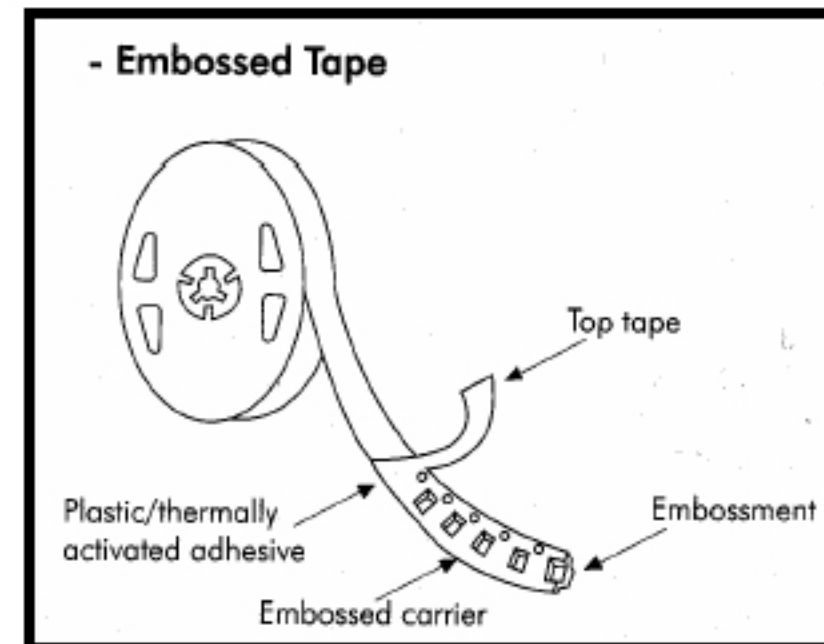


Part No.	Dimension	$A \pm 0.1$	$B \pm 0.1$	$C \pm 0.1$	$D \pm 0.1$	T(max)
FEA634		2.5	4.3	8	3.7	0.3
FEA635		3.5	5.5	8	4.5	0.3
FEA636		2.5	4.0	8	2.3	0.3
FEA637		3.3	6.0	8	5.8	0.4
FEA638						
FEA639						

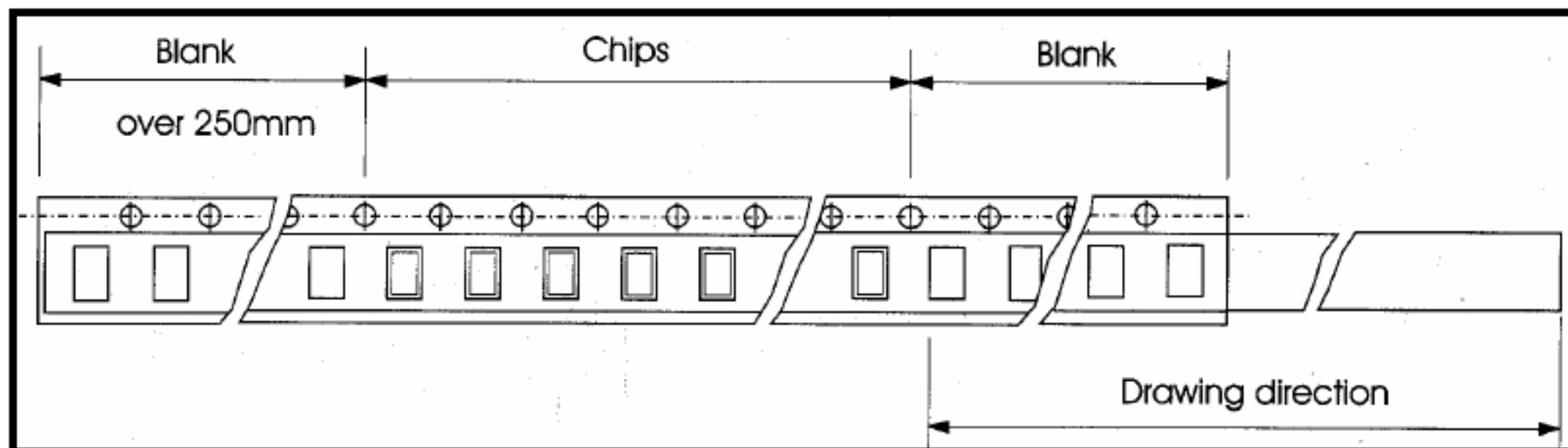
## ■ Real dimension



## ■ Taping material



## ■ Leader and Blank Portion



Leader : over 400 mm